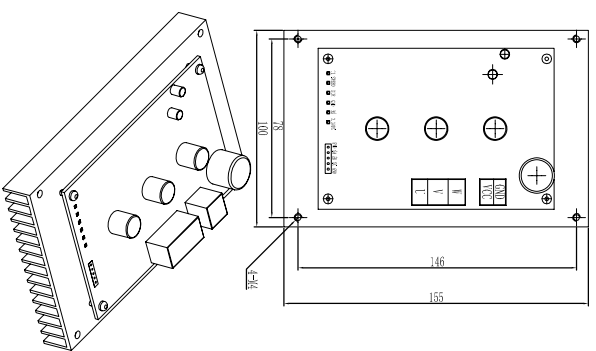


20A BRUSHLESS MOTOR CONTROLLER



NOTE:
 Correctly connect the controller to power supply
 (Positive "+", Negative "-")
 Incorrect connecting will lead to damage of the controller due to the controller without reverse polarity protection

CONTROL SIGNAL

SPEED : FEEDBACK SPEED 4PULSES/RPM @ 8 POLES
 DIR: HIGH FREQUENCY=CCW LOW FREQUENCY=CCW
 RS: SPEED CONTROL BY VOLTAGE 0-3.3VDC

SPECIFICATION	MODEL NO	BYC12-20A	BYC24-20A	BYC36-15A	BYC48-15A	BYC72-10A
VOLTAGE (VDC)		12	24	36	48	72
NO OF PHASE		3	3	3	3	3
MAX PEAK CURRENT (A)		30	25	25	20	15
MAX CONSTANT CURRENT (A)		20	20	15	15	10
SENSOR COMPONENT	SENSORLESS					
TIME OF INCREASING SPEG(S)	0.5-10					
MODE OF CONTROL	OPEN CONTROL					
LOW VOLTAGE (VDC)	9	20	30	40	60	
HIGH VOLTAGE (VDC)	16	30	40	56	80	
DIMENSIONS (MM)	155mm X 100mm X 40 mm					
WEIGHT (KG)	0.4					